

PRA451AIR

Professional Marine and Land Based VHF Antenna

PRA451AIR is a 1.6m (5.25') omnidirectional dipole marine and land based VHF antenna. PRA451AIR is manufactured with the best materials for withstanding harsh marine environmental conditions, both on sea and land. Moreover, the antenna brass elements are protected by high quality and rugged tapped fibreglass tube.

PRA451AIR is a vertically polarized, vibration proof, lightweight, corrosion resistant antenna and its metal element is DC-grounded for reducing the noise caused by atmospheric discharge.

ELECTRICAL SPECIFICATIONS

FREQUENCY RANGE	118-137
GAIN	2.1dBi
NOMINAL IMPEDANCE	50 ohm
POLARIZATION	Vertical
VSWR	< 1,5:1
POWER RATING	100 W
DC GROUND	Yes
TERMINATION	N-female (code: PRA451AIR/A) SO239 (code: PRA451AIR/B) TNC (code: PRA451AIR/C)

MECHANICAL SPECIFICATIONS

LENGTH	2,65m / 8.7'
WEIGHT	0.61kg / 1.35lb
INSTALLATION	1"BSP x 11 tpi
TEMPERATURE RANGE	-55 / +60 °C
WIND RATING	45 m/s
COLOUR	White polyuretano lacquer
MATERIAL	Fibreglass

Mounting

Easy mounting using 1"BSP mounts (not included)

AISI316
STAINLESS STEEL

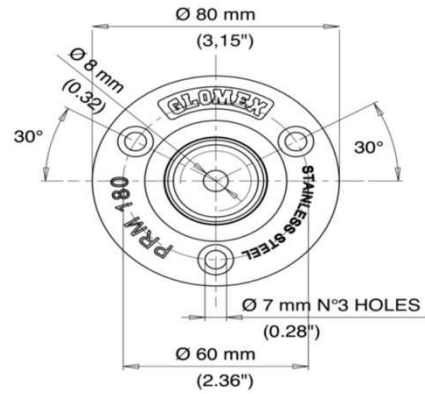


Specifications may change without notice.

ACCESSORIES (Not Included)

Code: PRM180

1" BSP x 11 tpi male

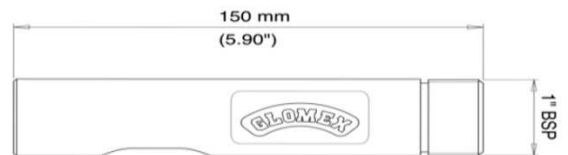


Electropolished AISI316 stainless steel deck mount.

Code: PRM280

1"x14 UNS female

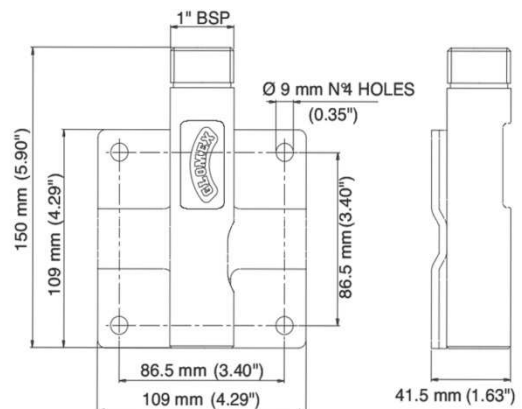
1" BSP x 11 tpi male



Electropolished AISI316 stainless steel adaptor 1" BSP X 11 tpi male to 1"x14 UNS female – with slot for cable.

Code: PRM298

1" BSP x 11 tpi male



Electropolished AISI316 stainless steel pipe mounting bracket for **vertical** or **horizontal mounting** for tubes from 25mm (1") to 80 mm (3").

Specifications may change without notice.