

## PRA461A – PRA461B

### Professional Marine VHF Antennas

PRA461A and PRA461B are 2,7m (8,9') high performing professional marine VHF antennas; specially developed for work boats

**PRA461A** has the **N female** termination.

**PRA461B** has the **SO239** termination for PL259 connector

#### **ELECTRICAL SPECIFICATIONS**

<b>FREQUENCY RANGE</b>	156 - 162
<b>GAIN</b>	5.1dBi
<b>NOMINAL IMPEDANCE</b>	50 ohm
<b>POLARIZATION</b>	Vertical
<b>VSWR</b>	< 1,3 at 156,8 MHz
<b>POWER RATING</b>	100 W
<b>DC GROUND</b>	Yes
<b>TERMINATION</b>	N-female (PRA461A) SO239 (PRA461B)

#### **MECHANICAL SPECIFICATIONS**

<b>LENGTH</b>	2,7m / 8.9'
<b>WEIGHT</b>	0.65kg / 23oz
<b>INSTALLATION</b>	1"BSP x 11 tpi
<b>TEMPERATURE RANGE</b>	-55 / +60 °C
<b>WIND RATING</b>	60 m/s
<b>COLOUR</b>	White polyuretano lacquer
<b>MATERIAL</b>	Fibreglass

#### **Mounting**

Easy mounting using 1" BSP mounts (not included)

Choose a mounting location that is as high as possible, as free as possible from obstructions, and as far as possible away from other antennas.

AISI316  
STAINLESS STEEL

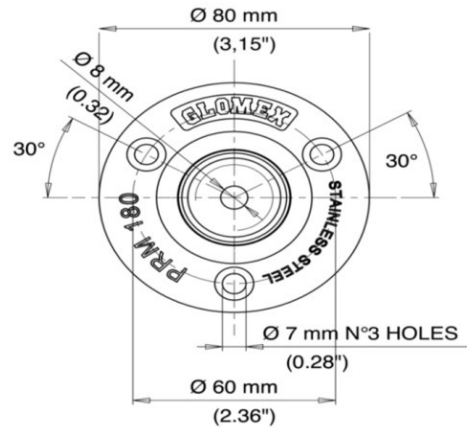


*Specifications may change without notice.*

**ACCESSORIES (Not Included)**

**Code: PRM180**

1" BSP x 11 tpi male

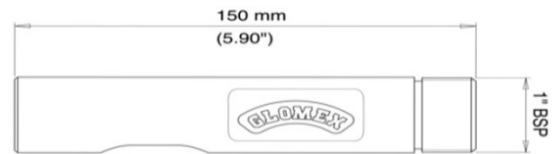


Electropolished AISI316 stainless steel deck mount.

**Code: PRM280**

1"x14 UNS female

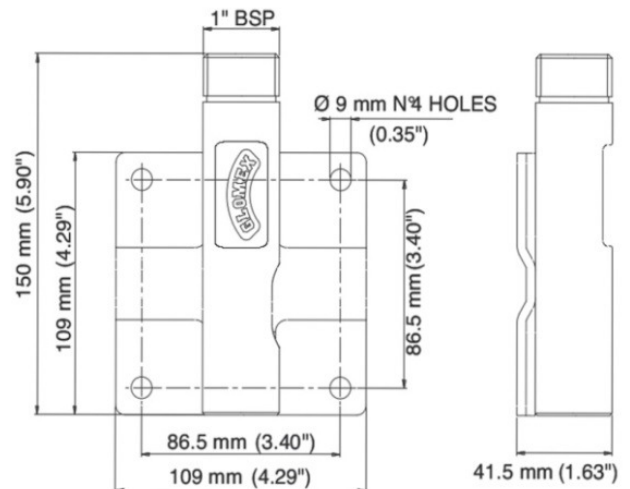
1" BSP x 11 tpi male



Electropolished AISI316 stainless steel adaptor 1" BSP X 11 tpi male to 1"x14 UNS female – with slot for cable.

**Code: PRM298**

1" BSP x 11 tpi male



Electropolished AISI316 stainless steel pipe mounting bracket for **vertical** or **horizontal mounting** for tubes from 25mm (1") to 80 mm (3").

*Specifications may change without notice.*