

## PRA471

### Commercial Marine WiFi Antenna

PRA471 is a 1,2m (4') high gain dual band omnidirectional marine antenna for Wi-fi and other 2.4GHz and 5GHz applications. Thanks to its characteristics it can cover a very large area with a Wi-Fi network.

#### **ELECTRICAL SPECIFICATIONS**

<b>FREQUENCY RANGE</b>	2,4 – 2,5 / 5,55 – 5,85 GHz
<b>GAIN</b>	12 dBi
<b>NOMINAL IMPEDANCE</b>	50 ohm
<b>POLARIZATION</b>	Vertical
<b>VSWR</b>	< 1,3
<b>POWER RATING</b>	100 W
<b>TERMINATION</b>	N female

#### **MECHANICAL SPECIFICATIONS**

<b>LENGTH</b>	1,2m / 4'
<b>WEIGHT</b>	542g / 17,4oz
<b>INSTALLATION</b>	1"BSP x 11 tpi
<b>TEMPERATURE RANGE</b>	-40 / +60 °C
<b>WIND RATING</b>	60 m/s
<b>COLOUR</b>	White
<b>MATERIAL</b>	Fibreglass

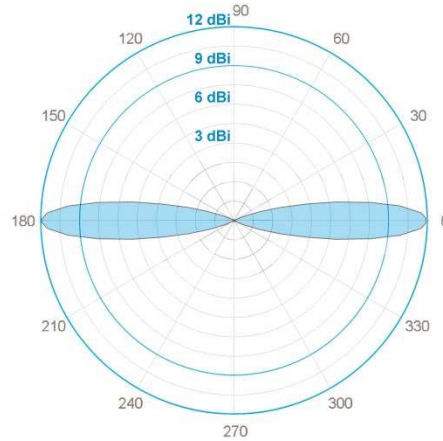
#### **Mounting**

Easy mounting using 1"BSP mounts (not included)

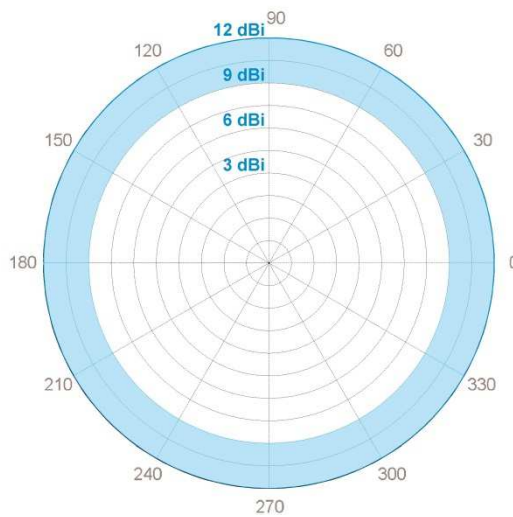
Choose a mounting location that is as high as possible, as free as possible from obstructions, and as far as possible away from other antennas.



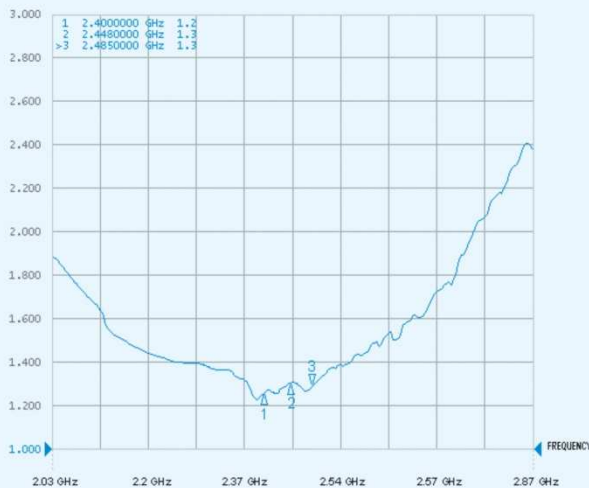
**Typical Radiation Pattern E-Plane**



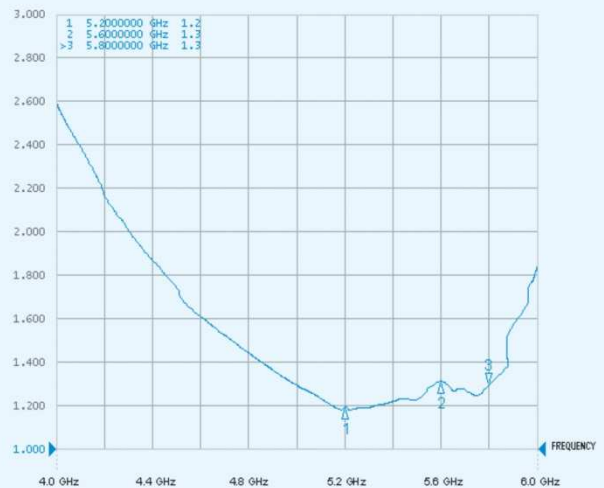
**Typical Radiation Pattern H-Plane**



**Typical SWR  
2.4GHz Band**



**Typical SWR  
5.0GHz Band**

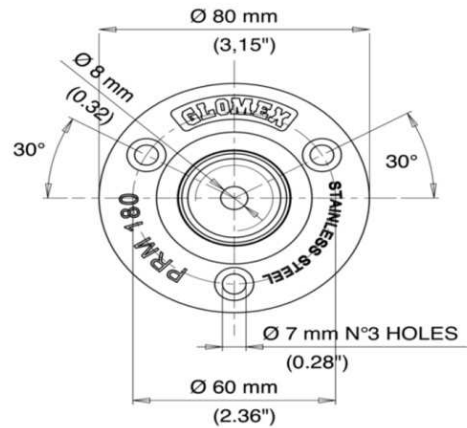


Specifications may change without notice.

**ACCESSORIES (Not Included)**

**Code: PRM180**

1" BSP x 11 tpi male

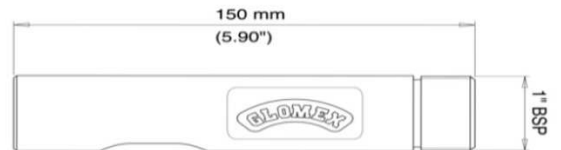


Electropolished AISI316 stainless steel deck mount.

**Code: PRM280**

1"x14 UNS female

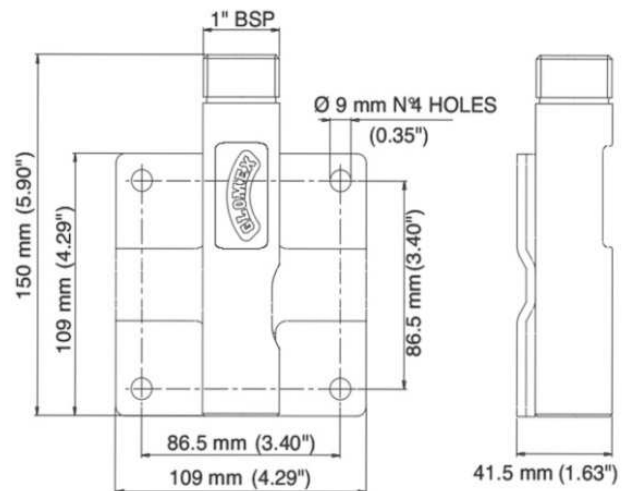
1" BSP x 11 tpi male



Electropolished AISI316 stainless steel adaptor 1" BSP X 11 tpi male to 1"x14 UNS female – with slot for cable.

**Code: PRM298**

1" BSP x 11 tpi male



Electropolished AISI316 stainless steel pipe mounting bracket for **vertical** or **horizontal mounting** for tubes from 25mm (1") to 80 mm (3").

Specifications may change without notice.